

**Winnebago County, IL  
GPS PROJECT 2000**

Station Name WIN06.9N-03.6E Station No. 0058

Section 34, Town 44 North, -Range 1 East / West

Town of NW ROCKFORD, County Winnebago, State Illinois

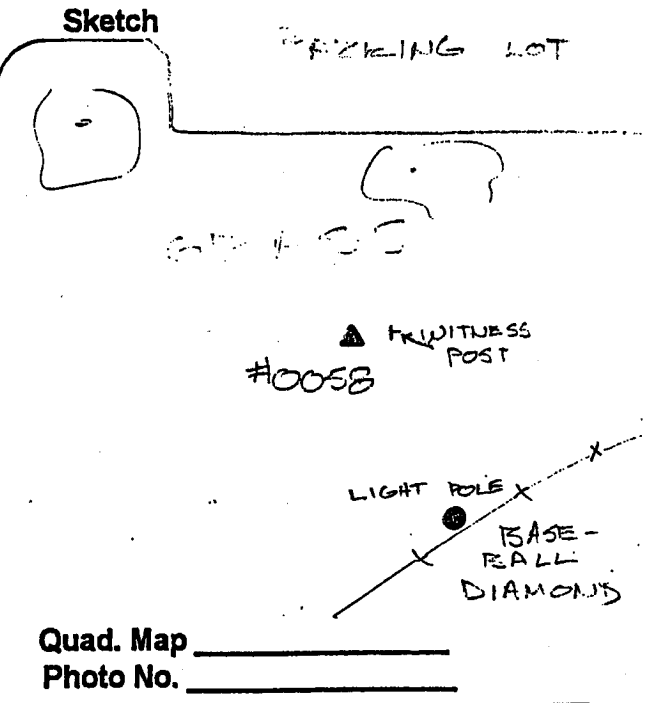
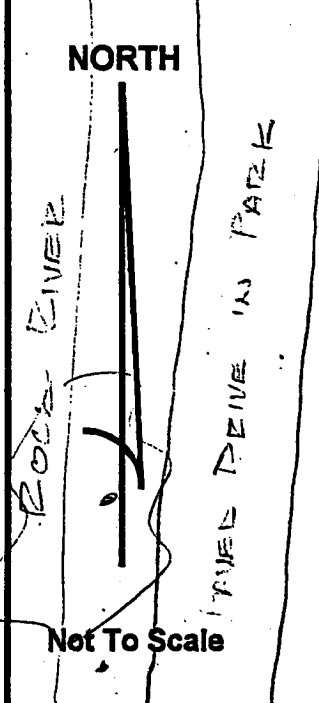
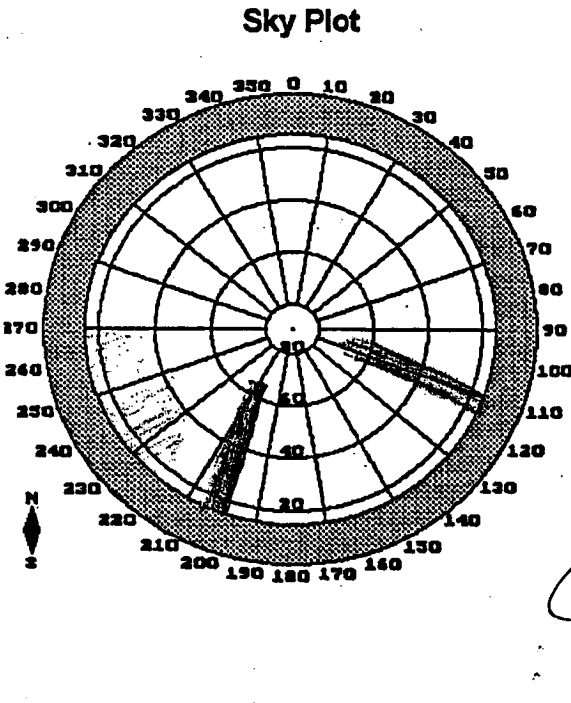
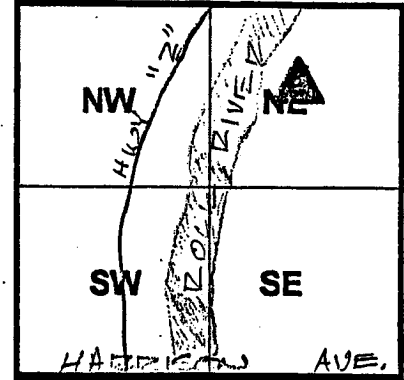
Observer D. MUENCHA; Date of observation 10.24.2000

Order of Control 1<sup>ST</sup>  -Meters  -Feet Zone: IL WEST

County Coordinates: N: 620240.323 LAT: 42 14 54.89323 N

H. Datum: NAD 83/91 E: 787790.365 LON: 89 06 10.22166 W

V. Datum: NAVD 88 ELEV: 211.970 ELLIP 178.680 GH '99 -33.29



**DESCRIPTION:** POINT 0058 IS A STAINLESS STEEL ROD IN A HAND-HOLE SET 0.2' BELOW GROUND, LOCATED IN BLACKHAWK PARK IN ROCKFORD. THE POINT IS 60' E/O EDGE OF BIT, OF PAVED DRIVE IN PARK, ~37' NW/O A BASEBALL DIAMOND'S LIGHT POLE, ~120' SE/O SOUTHWEST COR. OF PARKING LOT, & 1.0' W/O A CAESONITE WITNESS POST.