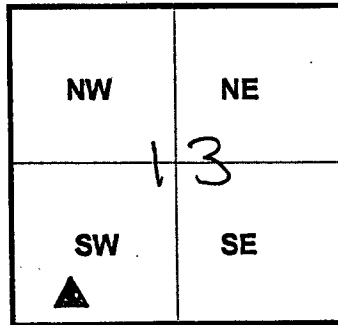


Winnebago County, IL
GPS PROJECT 2000



Station Name WIN 09.1N 06.2E Station No. 43

Section 13, Town 44 North, -Range 1 East / West

Town of N. Rockford, County Winnebago, State Illinois

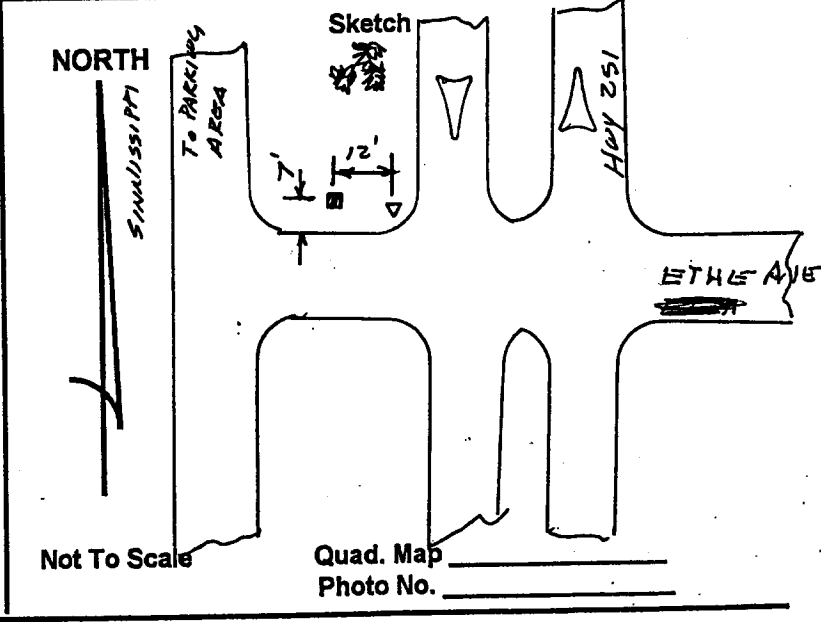
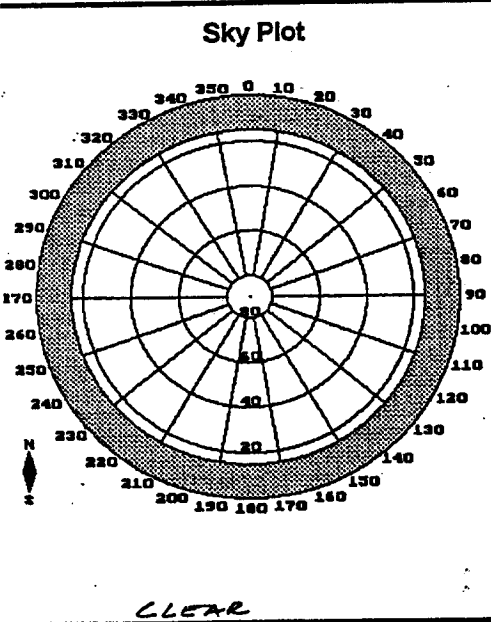
Observer C. SANDSNES; Date of observation 25 Oct 2000

Order of Control 1ST -Meters - Feet Zone: IL WEST

County Coordinates: N: 623937.941 LAT: 42 16 53.70624 N

H. Datum: NAD 83/91 E: 790252.753 LON: 89 04 20.74907 W

V. Datum: NAVD 88 ELEV: 217.800 ELLIP: 184.450 GH '99 -33.35



DESCRIPTION: SET STEEL ROD IN ACCESS BOX @ INTERSECTION OF
HWY 251 & ENTRANCE TO MISSISSIPPI GREEN HOUSE GARDEN. Station
is 7 feet North of the EOP of the Entrance to Mississippi Green House
Garden, 12 feet West of sign and 1 foot South of an orange
carsonite witness post.